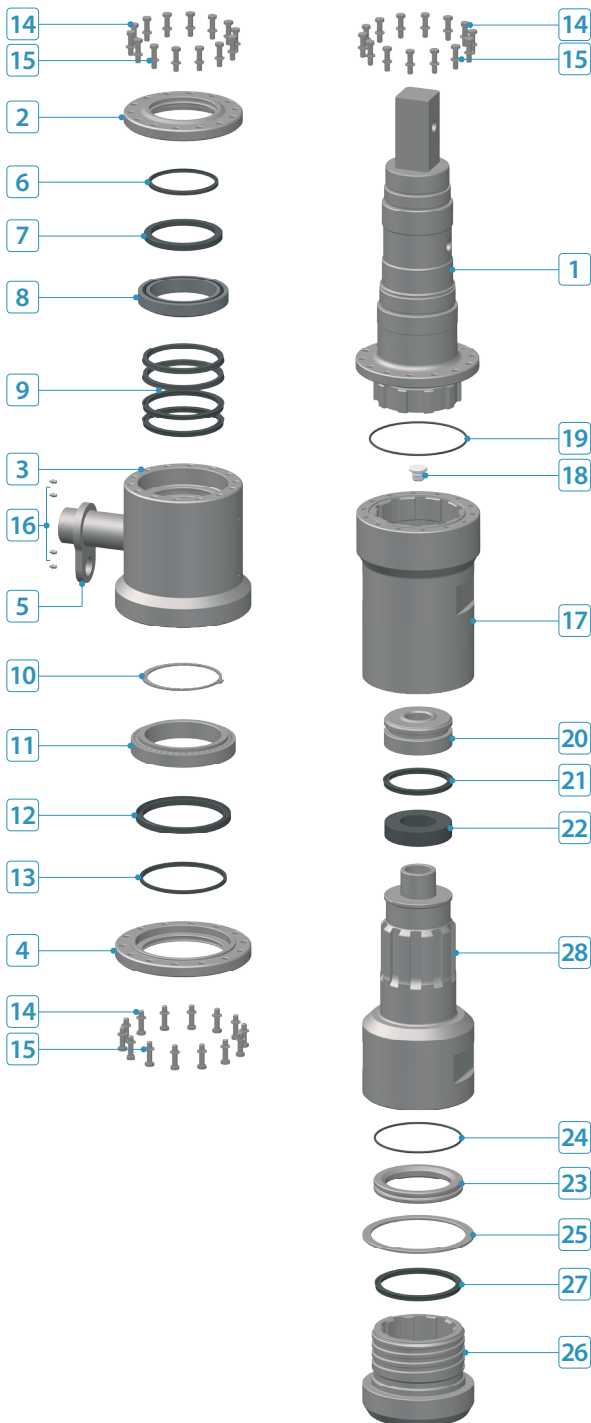


SWIVEL+SHOCK ABSORBER COMBINED UNITS

TYPE A - AIR CHAMBER + BUFFER TYPE



COMPONENT PART



No.	DESCRIPTION	Q'TY	PART #
1	SW Device	1	D427-07-C3975P
2	SW Flange 01	1	D427-07-C57000
3	SW Tube (NO.02)	1	D427-07-C76000
4	SW Flange 02	1	D427-07-C58000
5	SW Tube Socket & Guide	1	D427-07-C59000
6	Dust Seal	1	D427-07-C77000
7	Oil Seal D	1	D427-07-C78000
8	Bearing	1	D427-07-C48000
9	U-Packing (4ea = 1set)	4	D427-07-C87000
10	Snap Ring	1	D427-07-C56000
11	Bearing	1	D427-07-C48000
12	Oil Seal D	1	D427-07-C78000
13	Dust Seal	1	D427-07-C77000
14	Bolt (42ea = 1 set)	42	D427-07-C46000
15	Washer (42ea = 1set)	42	D427-07-C30000
16	Nipple	4	D427-07-C51000
17	SA Tube(NO.01)	1	D427-07-C81000
18	Sa Tube Plug	1	D427-07-C82000
19	SA Tube O-ring	1	D427-07-C83000
20	Shaft Head	1	D427-07-C84000
21	Shaft Head U-Packing	1	D427-07-C85000
22	Buffering	1	D427-07-C07000
23	SA Shaft Stop Ring	1	D427-07-C09000
24	SA Shaft Stop Ring O-ring	1	D427-07-C10000
25	SA Drive Sub Washer	1	D427-07-C11000
26	SA Drive Sub	1	D427-07-C12000
27	SA Drive Sub U-Packing	1	D427-07-C86000
28	SA Shaft	1	D427-07-C15FRB

SPECIFICATIONS

Length	42.7"	1,085 mm
Weight	425.5 lbs.	193 kg
Connection (Custom Order Products)	6-5/8" API Reg BOX & 75 Square PIN	