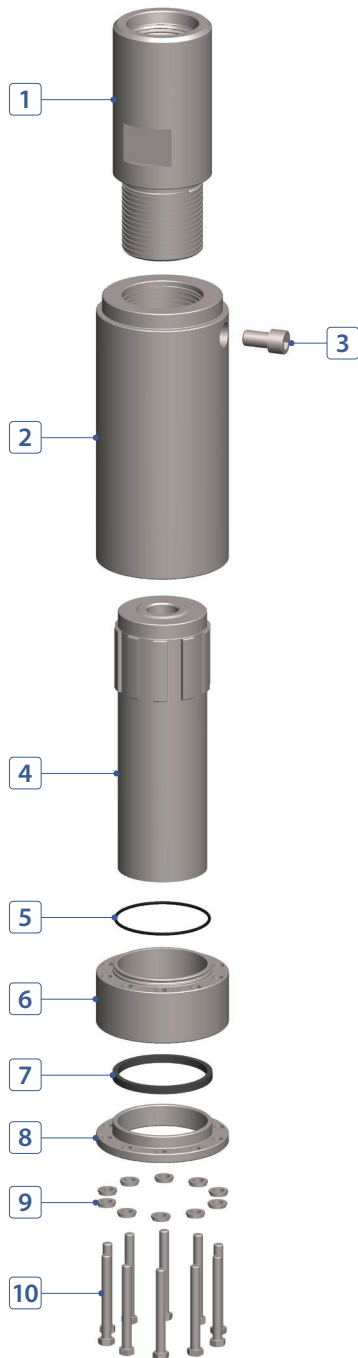


# SHOCK ABSORBER

ROTARY TYPE - 6 INCH



## COMPONENT PART

No.	DESCRIPTION	Q'TY	PART #
1	Upper Adapter	1	S060-08-C01CRB
2	Tube	1	S060-08-C04000
3	Tube Range Bolt	1	S060-08-C25000
4	Shaft	1	S060-08-C15CRP
5	Flange01 O-ring	1	S060-08-C27000
6	Flange01	1	S060-08-C26000
7	Flange Seal	1	S060-08-C28000
8	Flange02	1	S060-08-C29000
9	Washer	10	S060-08-C30000
10	Hex bolt	10	S060-08-C31000

## SHOCK ABSORBER SPECIFICATIONS

Length	28.5"	723 mm
Outside Diameter	6.5"	166 mm
Weight	187 lbs.	85 kg
Connection	Std. 3-1/2" API Reg	