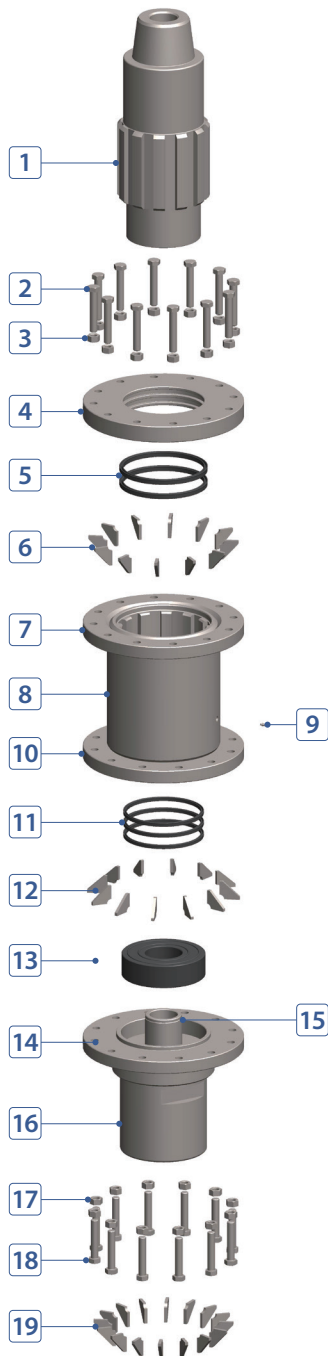


SHOCK ABSORBER

ROTARY TYPE - 24 INCH



COMPONENT PART

No.	DESCRIPTION	Q'TY	PART #
1	Joint	1	S240-08-C32HRB
2	Hex Bolt	12	S240-08-C31000
3	Safe Lock Nut	12	S240-08-C41000
4	Joint Flange	1	S240-08-C33000
5	U-Packing (Joint)	2	S240-08-C34000
6	Joint Reinforcing Plate	12	S240-08-C42000
7	Joint Flange Guide	1	S240-08-C43000
8	Tube	1	S240-08-C04000
9	Tube Nipple	1	S240-08-C35000
10	Device Flange Guide	1	S240-08-C44000
11	U-Packing (Tube)	3	S240-08-C36000
12	Tube reinforcing Plate	24	S240-08-C45000
13	Buffering	1	S240-08-C07000
14	Device Flange	1	S240-08-C37000
15	Buffering Bushing	1	S240-08-C38000
16	Device	1	S240-08-C39HRP
17	Safe Lock Nut	12	S240-08-C41000
18	Hex Bolt	12	S240-08-C31000
19	Device Reinforcing Plate	12	S240-08-C42000

SHOCK ABSORBER SPECIFICATIONS

Length	46.3"	1,175 mm
Outside Diameter	20.5"	520 mm
Weight	1,716 lbs.	780 kg
Connection	Std. 8-5/8" API Reg	