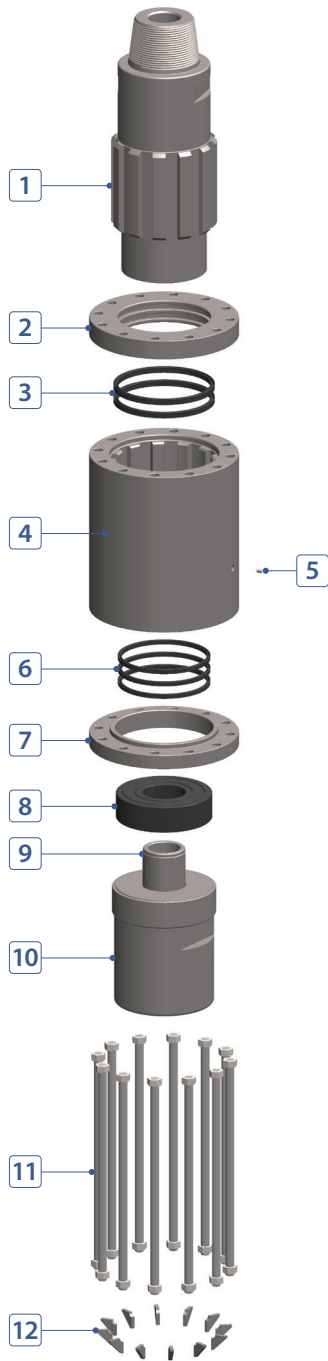


# SHOCK ABSORBER

ROTARY TYPE - 18 INCH



## COMPONENT PART

No.	DESCRIPTION	Q'TY	PART #
1	Joint	1	S180-08-C32HRB
2	Joint Flange	1	S180-08-C33000
3	U-Packing (Joint)	2	S180-08-C34000
4	Tube	1	S180-08-C04000
5	Tube Nipple	1	S180-08-C35000
6	U-Packing (Tube)	3	S180-08-C36000
7	Device Flange	1	S180-08-C37000
8	Buffering	1	S180-08-C07000
9	Buffering Bushing	1	S180-08-C38000
10	Device	1	S180-08-C39HRP
11	Hex Long Bolt	12	S180-08-C40000
12	Safe Lock Nut	12	S180-08-C41000
13	Reinforcing Plate	12	S180-08-C42000

## SHOCK ABSORBER SPECIFICATIONS

Length	46.1"	1,170 mm
Outside Diameter	16.5"	420 mm
Weight	1,606 lbs.	730 kg
Connection	Std. 8-5/8" API Reg	