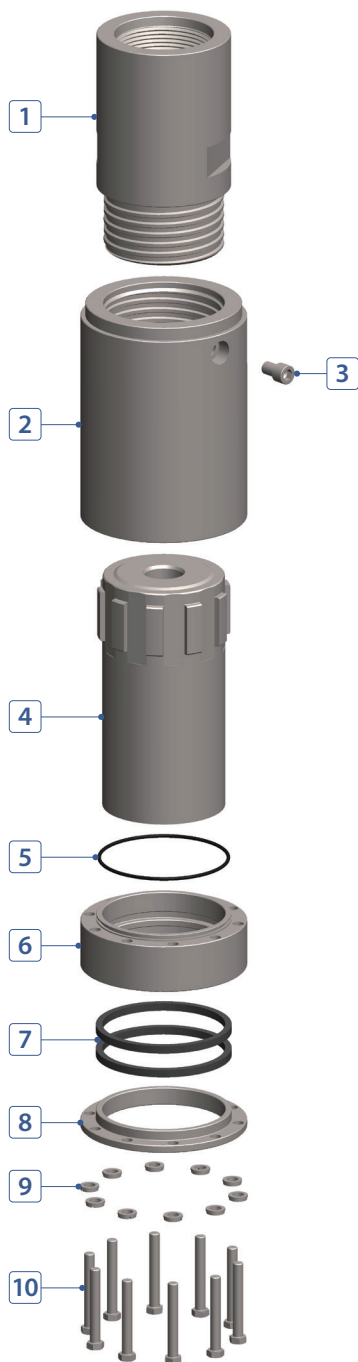


# SHOCK ABSORBER

ROTARY TYPE - 12 INCH



## COMPONENT PART

No.	DESCRIPTION	Q'TY	PART #
1	Upper Adapter	1	S120-08-C01FRB
2	Tube	1	S120-08-C04000
3	Tube Range Bolt	1	S120-08-C25000
4	Shaft	1	S120-08-C15FRP
5	Flange01 O-ring	1	S120-08-C27000
6	Flange01	1	S120-08-C26000
7	Flange Seal	2	S120-08-C28000
8	Flange02	1	S120-08-C29000
9	Washer	10	S120-08-C30000
10	Hex bolt	10	S120-08-C31000

## SHOCK ABSORBER SPECIFICATIONS

Length	31.9"	810 mm
Outside Diameter	10.2"	258 mm
Weight	473 lbs.	215 kg
Connection	Std. 6-5/8" API Reg	