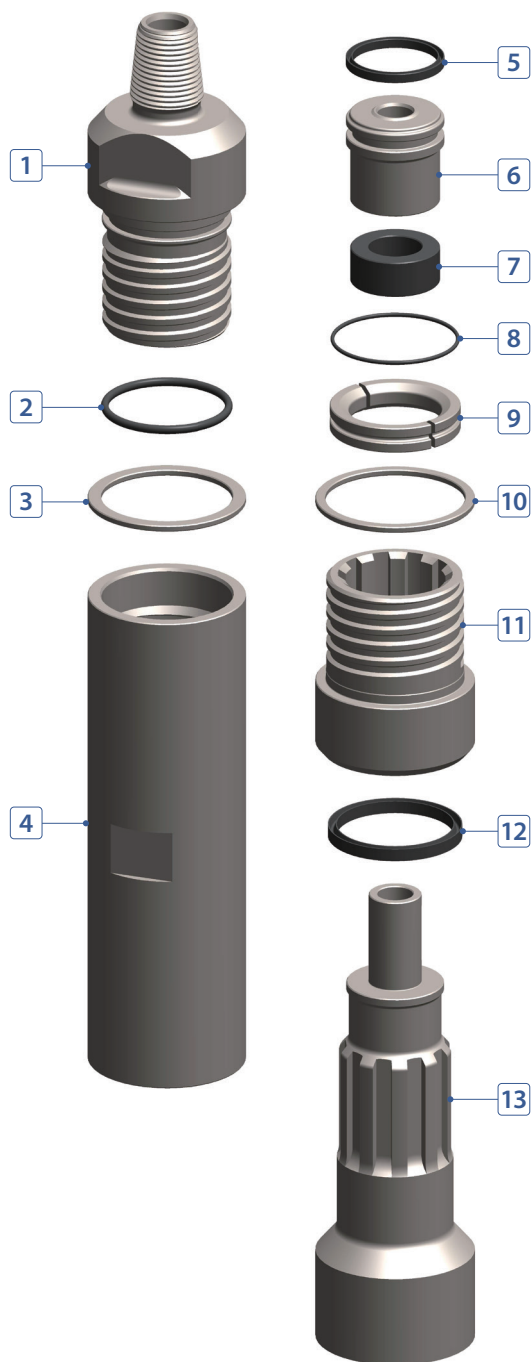


SHOCK ABSORBER

AIR TYPE - 8 INCH



COMPONENT PART

No.	DESCRIPTION	Q'TY	PART #
1	Upper Adapter	1	S080-05-C01FRP
2	Upper Adapter O-Ring	1	S080-05-C03000
3	Upper Adapter Washer	1	S080-05-C02000
4	Tube	1	S080-05-C04000
5	Shaft Head Seal	1	S080-05-C88000
6	Shaft Head	1	S080-05-C84000
7	Buffering	1	S080-05-C07000
8	Shaft Stop Ring O-Ring	1	S080-05-C10000
9	Shaft Stop Ring	1	S080-05-C09000
10	Drive Sub Washer	1	S080-05-C11000
11	Drive Sub	1	S080-05-C12000
12	Drive Sub Seal	1	S080-05-C13000
13	Shaft	1	S080-05-C15DRB

SHOCK ABSORBER SPECIFICATIONS

Length	34.7"	882 mm
Outside Diameter	7"	178 mm
Weight	286 lbs.	130 kg
Connection	Std. 4-1/2" API Reg	