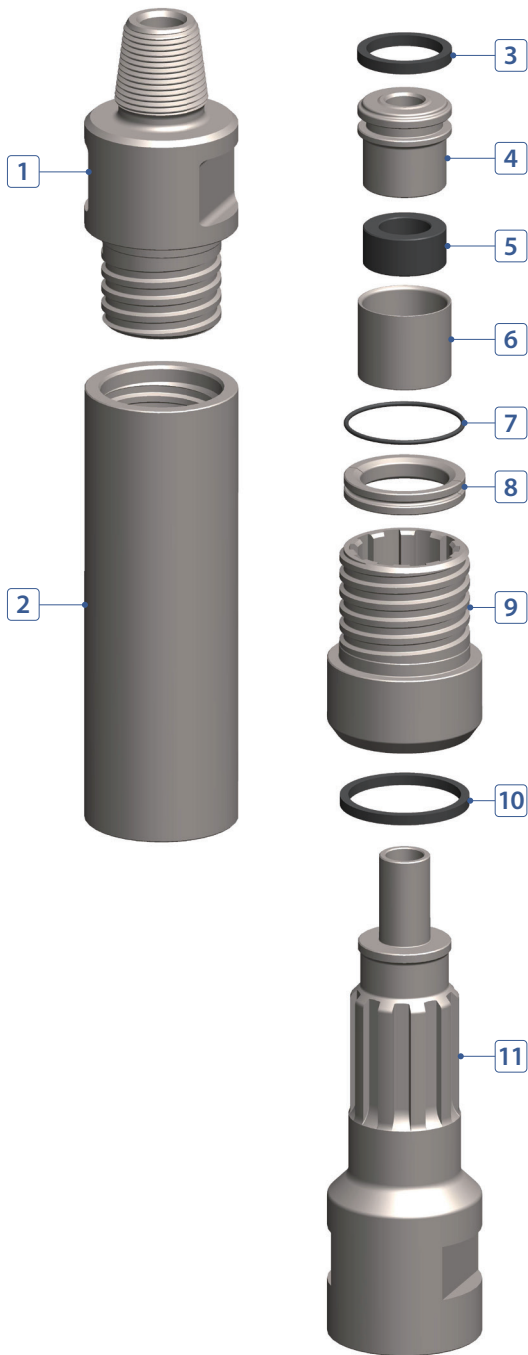


# SHOCK ABSORBER

AIR TYPE - 6 INCH



## COMPONENT PART

No.	DESCRIPTION	Q'TY	PART #
1	Upper Adapter	1	S060-03-C01CRP
2	Tube	1	S060-03-C04000
3	Shaft Head Seal	1	S060-03-C06000
4	Shaft Head	1	S060-03-C05000
5	Buffering	1	S060-03-C07000
6	Buffering Sleeve	1	S060-03-C08000
7	Shaft Stop Ring O-Ring	1	S060-03-C10000
8	Shaft Stop Ring	1	S060-03-C09000
9	Drive Sub	1	S060-03-C12000
10	Drive Sub Seal	1	S060-03-C13000
11	Shaft	1	S060-03-C15CRB

## SHOCK ABSORBER SPECIFICATIONS

Length	30.59"	777 mm
Outside Diameter	5.4"	137.5 mm
Weight	160.6 lbs.	73 kg
Connection	Std. 3-1/2" API Reg	