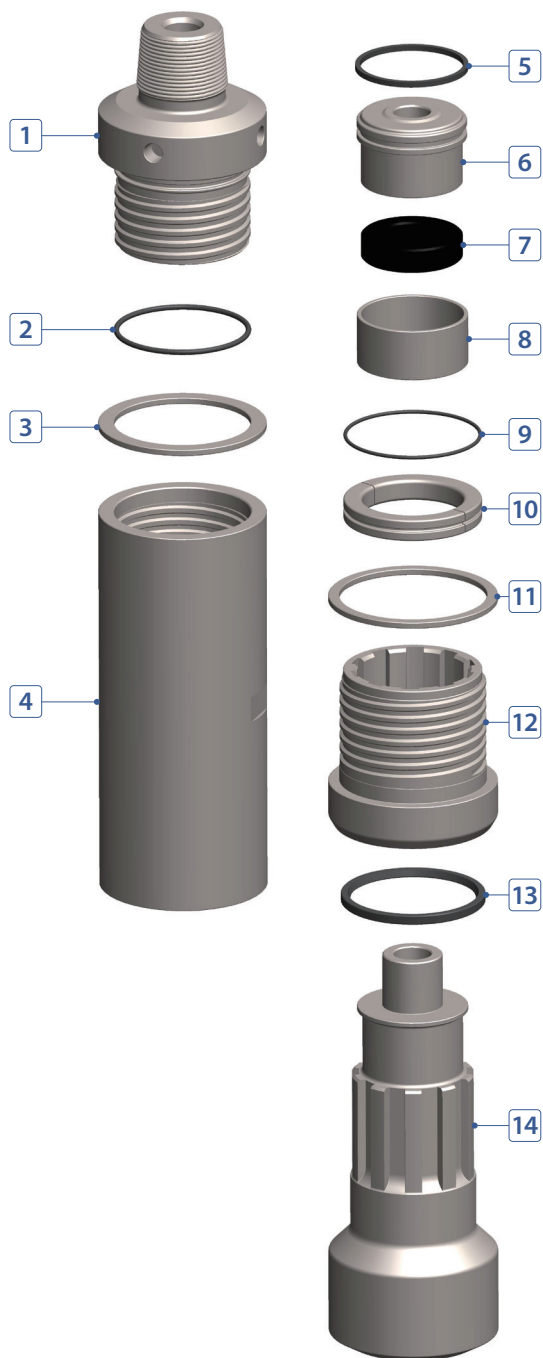


SHOCK ABSORBER

AIR TYPE - 12 INCH



COMPONENT PART

No.	DESCRIPTION	Q'TY	PART #
1	Upper Adapter	1	S120-05-C01FRP
2	Upper Adapter O-Ring	1	S120-05-C03000
3	Upper Adapter Washer	1	S120-05-C02000
4	Tube	1	S120-05-C04000
5	Shaft Head Seal	1	S120-05-C06000
6	Shaft Head	1	S120-05-C05000
7	Buffering	1	S120-05-C07000
8	Buffering Sleeve	1	S120-05-C08000
9	Shaft Stop Ring O-Ring	1	S120-05-C10000
10	Shaft Stop Ring	1	S120-05-C09000
11	Drive Sub Washer	1	S120-05-C11000
12	Drive Sub	1	S120-05-C12000
13	Drive Sub Seal	1	S120-05-C13000
14	Shaft	1	S120-05-C15FRB

SHOCK ABSORBER SPECIFICATIONS

Length	46.1"	1,172 mm
Outside Diameter	10.63"	270 mm
Weight	880 lbs.	400 kg
Connection	Std. 6-5/8" API Reg	