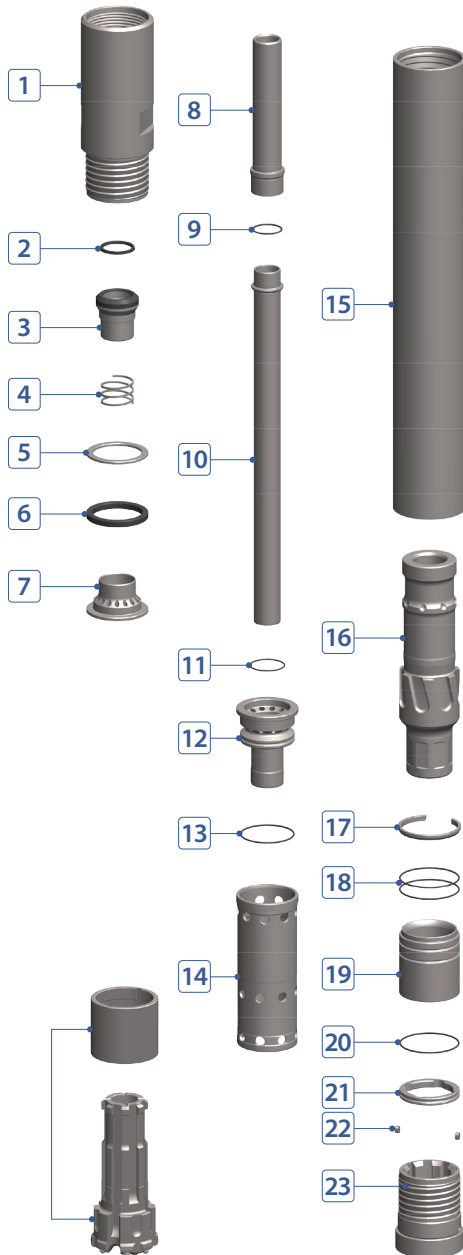


RC HAMMER & BIT

WRC6065 REVERSE CIRCULATION HAMMER



COMPONENT PART



No.	DESCRIPTION	Q'TY	PART #
1	Back Head	1	R060-06-E01000
2	Air Check Valve Seal	1	R060-06-E05000
3	Air Check Valve	1	R060-06-E06000
4	Air Check Valve Spring	1	R060-06-E07000
5	Make-Up Ring Washer	1	R060-06-E11000
6	Make-Up Ring (Buffering)	1	R060-06-E12000
7	Air Guide	1	R060-06-E13000
8	Sample Tube Top for Wear	1	R060-06-E16000
9	Sample Tube O-Ring	1	R060-06-E15000
10	Sample Tube Bottom for Wear	1	R060-06-E18000
11	Air Distributor Inner O-Ring	1	R060-06-E19000
12	Air Distributor	1	R060-06-E20000
13	Air Distributor Outer O-Ring	1	R060-06-E21000
14	Cylinder	1	R060-06-E28000
15	Wear Sleeve	1	R060-06-E25000
16	Piston	1	R060-06-E26000
17	Piston Stop Ring	1	R060-06-E59000
18	Bearing O-Ring	2	R060-06-E30000
19	Bearing	1	R060-06-E29000
20	Bit Retainer O-Ring	1	R060-06-E32000
21	Bit Retainer	1	R060-06-E33000
22	Shroud Locking Key	2	R060-06-E36000
23	Chuck (Drive Sub)	1	R060-06-E37000
*	Shroud	1	-
	WRC6065 Bit	1	-

HAMMER SPECIFICATIONS

Length (w/o drill bit)	51.81"	1,316 mm
Outside Diameter	5.86"	149 mm
Weight	236.6 lbs.	107.3 kg
Piston Weight	44 lbs.	20 kg
Hole Size	5-1/2" ~ 5-3/4"	139.7 ~ 146 mm
Connection	5 1/2" MPD	

AIR CONSUMPTION CHART

