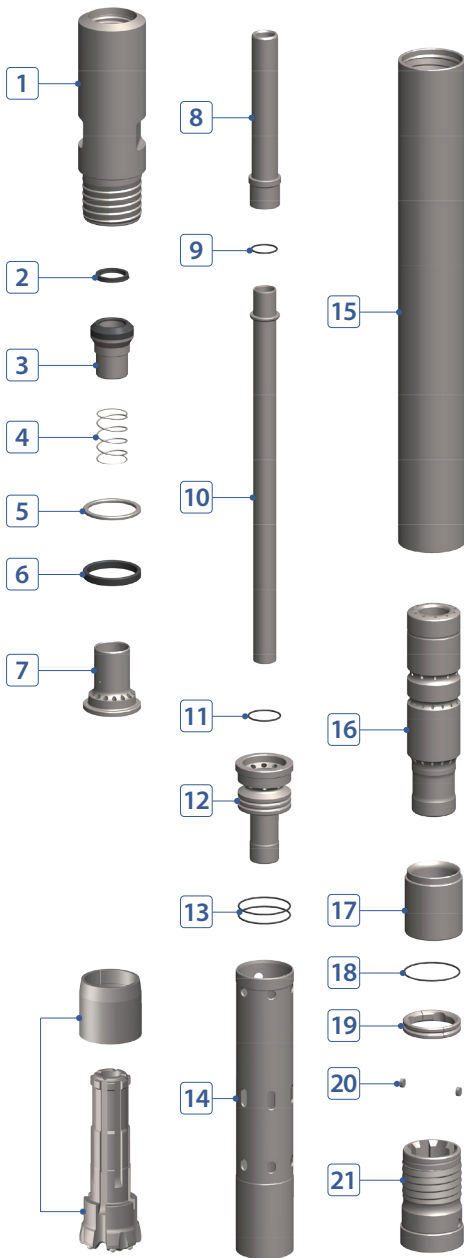


RC HAMMER & BIT

WRC4651 REVERSE CIRCULATION HAMMER



COMPONENT PART



No.	DESCRIPTION	Q'TY	PART #
1	Back Head	1	R046-06-E01000
2	Air Check Valve Seal	1	R046-06-E05000
3	Air Check Valve	1	R046-06-E06000
4	Air Check Valve Spring	1	R046-06-E07000
5	Make-Up Ring Washer	1	R046-06-E11000
6	Make-Up Ring (Buffering)	1	R046-06-E12000
7	Air Guide	1	R046-06-E13000
8	Sample Tube Top for Wear	1	R046-06-E16000
9	Sample Tube Top for Wear O-Ring	1	R046-06-E17000
10	Sample Tube Bottom for Wear	1	R046-06-E18000
11	Air Distributor Inner O-Ring	1	R046-06-E19000
12	Air Distributor	1	R046-06-E20000
13	Air Distributor Outer O-Ring	2	R046-06-E21000
14	Inner Cylinder	1	R046-06-E27000
15	Wear Sleeve	1	R046-06-E25000
16	Piston	1	R046-06-E26000
17	Bearing	1	R046-06-E29000
18	Bit Retainer O-Ring	1	R046-06-E32000
19	Bit Retainer	1	R046-06-E33000
20	Shroud Locking Key	2	R046-06-E35000
21	Chuck (Drive Sub)	1	R046-06-E37000
	Shroud	1	-
*	WRC4651 Bit	1	-

HAMMER SPECIFICATIONS

Length (w/o drill bit)	46.61"	1,184 mm
Outside Diameter	4.44"	113 mm
Weight	132.3 lbs.	60 kg
Piston Weight	22.52 lbs.	10.21 kg
Hole Size	4-5/8" ~ 5-1/8"	117 ~ 130 mm
Connection	Std. 3 1/2" Remet	

AIR CONSUMPTION CHART

