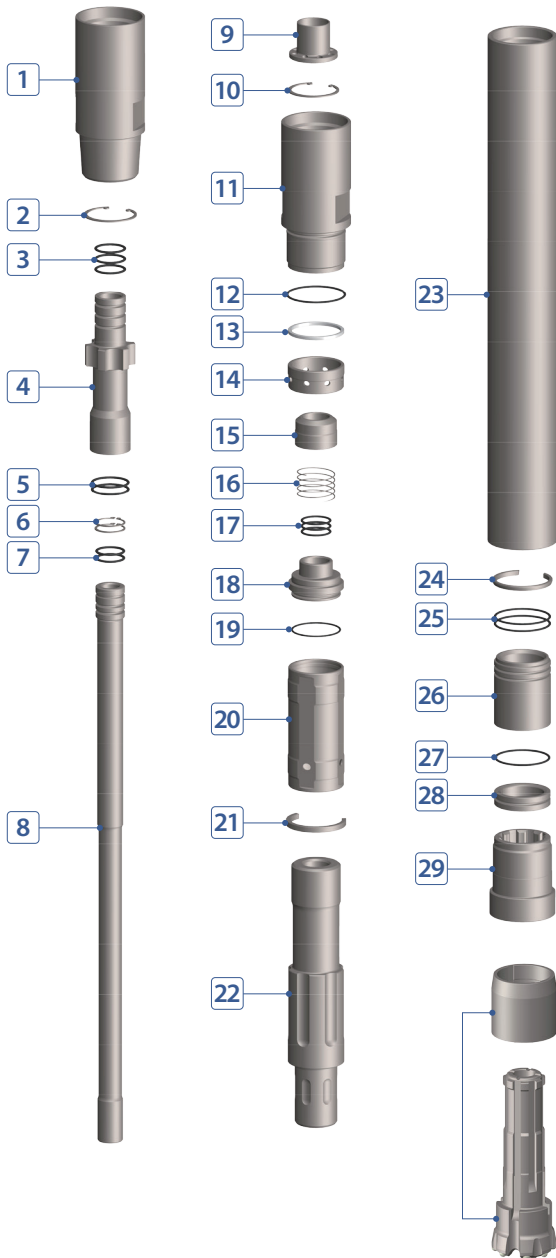


RC HAMMER & BIT

WRC3035 REVERSE CIRCULATION HAMMER



COMPONENT PART



No.	DESCRIPTION	Q'TY	PART #
1	Out Sub	1	R030-06-E61WR3
2	Snap Ring	1	R030-06-E62000
3	Inner Sub Outer O-ring	3	R030-06-E63000
4	Inner Sub	1	R030-06-E64000
5	Inner Sub Inner O-ring	2	R030-06-E65000
6	Snap Ring	2	R030-06-E62000
7	Inner Tube O-ring	2	R030-06-E67000
8	Inner Tube	1	R030-06-E68000
9	Adapter Nozzle	1	R030-06-E69000
10	Snap Ring	1	R030-06-E62000
11	Back Head	1	R030-06-E01000
12	Back Head O-ring	1	R030-06-E02000
13	Buffering	1	R030-06-E71000
14	Air Guide	1	R030-06-E13000
15	Check Valve	1	R030-06-E72000
16	Check Valve Spring	1	R030-06-E73000
17	Air Distributor Inner O-ring	3	R030-06-E19000
18	Air Distributor	1	R030-06-E20000
19	Air Distributor Outer O-ring	1	R030-06-E21000
20	Cylinder	1	R030-06-E28000
21	Cylinder Stop Ring	1	R030-06-E74000
22	Piston	1	R030-06-E26000
23	Wearsleeve	1	R030-06-E25000
24	Piston Stop Ring	1	R030-06-E59000
25	Bearing O-ring	2	R030-06-E30000
26	Bearing	1	R030-06-E29000
27	Bit Retainer O-ring	1	R030-06-E32000
28	Bit Retainer	1	R030-06-E33000
29	Chuck (Drive Sub)	1	R030-06-E37000
*	Shroud	1	-
	WRC3035 Bit	1	-

HAMMER SPECIFICATIONS

Length (w/o drill bit)	43.11"	1,095 mm
Outside Diameter	3.15"	80 mm
Weight	66.14 lbs.	30 kg
Piston Weight	11.53 lbs.	5.23 kg
Hole Size	3.4" ~ 3.9"	86 ~ 100 mm
Connection	WRC30	

AIR CONSUMPTION CHART

