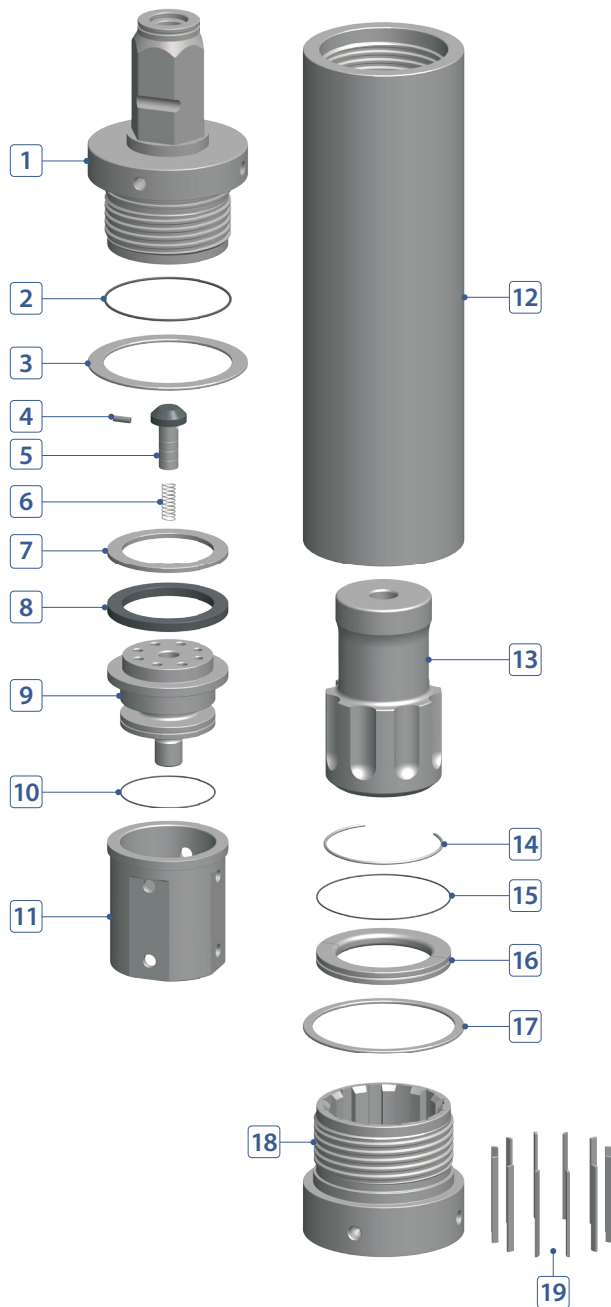


# DTH HAMMER

## KSN490 23" HAMMER WITH NUMA240 SHANK



### COMPONENT PART



No.	DESCRIPTION	Q'TY	PART #
1	Back Head	1	K230-02-A0124H
2	Back Head O-Ring	1	K230-02-A03000
3	Back Head Washer	1	K230-02-A02000
4	Plug (Choke)	1	K230-02-A08000
5	Air Check Valve	1	K230-02-A09000
6	Air Check Valve Spring	1	K230-02-A10000
7	Buffering Washer (Steel)	1	K230-02-A05000
8	Buffering	1	K230-02-A07000
9	Air Distributor	1	K230-02-A15000
10	Air Distributor O-Ring	1	K230-02-A16000
11	Cylinder	1	K230-02-A17000
12	Wear Sleeve	1	K230-02-A25NUM
13	Piston	1	K230-02-A26NUM
14	Piston Stop Ring (Key)	1	K230-02-A29000
15	Bit Retainer O-Ring	1	K230-02-A37000
16	Bit Retainer	1	K230-02-A36NUM
17	Chuck Washer	1	K230-02-A39NUM
18	Chuck	1	K230-02-A41NUM
19	Drive Pin	12	K230-02-A44NUM

### HAMMER SPECIFICATIONS

Length (w/o drill bit)	73.18"	1,859 mm
Outside Diameter	19.29"	490 mm
Weight	4,656 lbs.	2,112 kg
Piston Weight	715 lbs.	324.3 kg
Hole Size	23" ~ 29"	584 ~ 737 mm
Connection	Std. Hexagon 240H	

### AIR CONSUMPTION CHART

