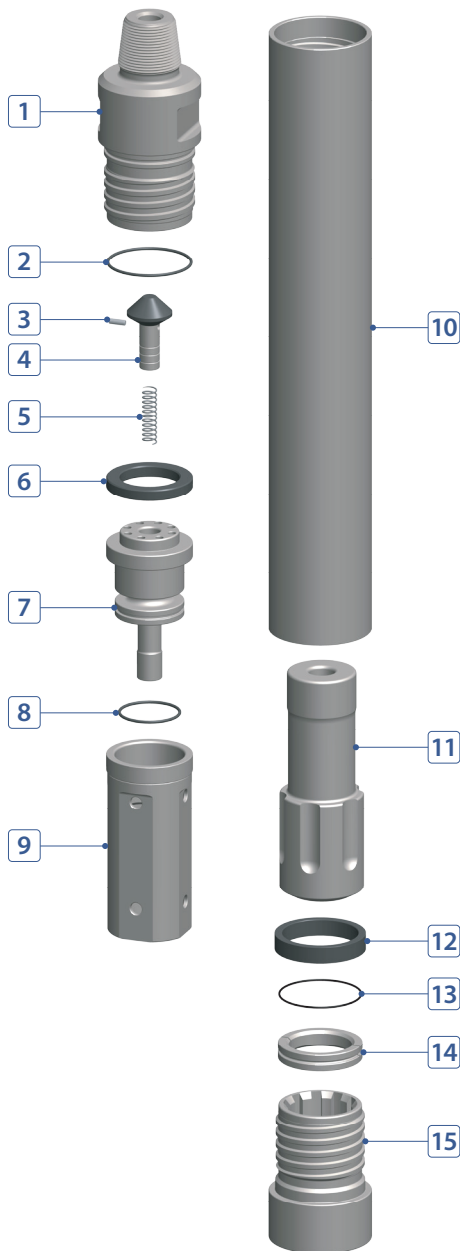


DTH HAMMER

KSI80 8" HAMMER WITH DHD380 SHANK



COMPONENT PART



No.	DESCRIPTION	Q'TY	PART #
1	Back Head	1	K080-02-A01DRP
2	Back Head O-Ring	1	K080-02-A03000
3	Plug (Choke)	1	K080-02-A08000
4	Air Check Valve	1	K080-02-A09000
5	Air Check Valve Spring	1	K080-02-A10000
6	Buffering	1	K080-02-A07000
7	Air Distributor	1	K080-02-A15000
8	Air Distributor O-Ring	1	K080-02-A16000
9	Cylinder	1	K080-02-A17000
10	Wear Sleeve	1	K080-02-A25DHD
11	Piston	1	K080-02-A26DHD
12	Piston Stop Ring (Buffering)	1	K080-02-A28SIK
13	Bit Retainer O-Ring	1	K080-02-A37000
14	Bit Retainer	1	K080-02-A36DHD
15	Chuck (Drive Sub)	1	K080-02-A41DHD

HAMMER SPECIFICATIONS

Length (w/o drill bit)	52.16"	1,325 mm
Outside Diameter	7.12"	181 mm
Weight	420 lbs.	190.5 kg
Piston Weight	84 lbs.	38.1 kg
Hole Size	7-7/8" ~ 10"	200 ~ 254 mm
Connection	Std. 4-1/2" API Reg Pin	

AIR CONSUMPTION CHART

