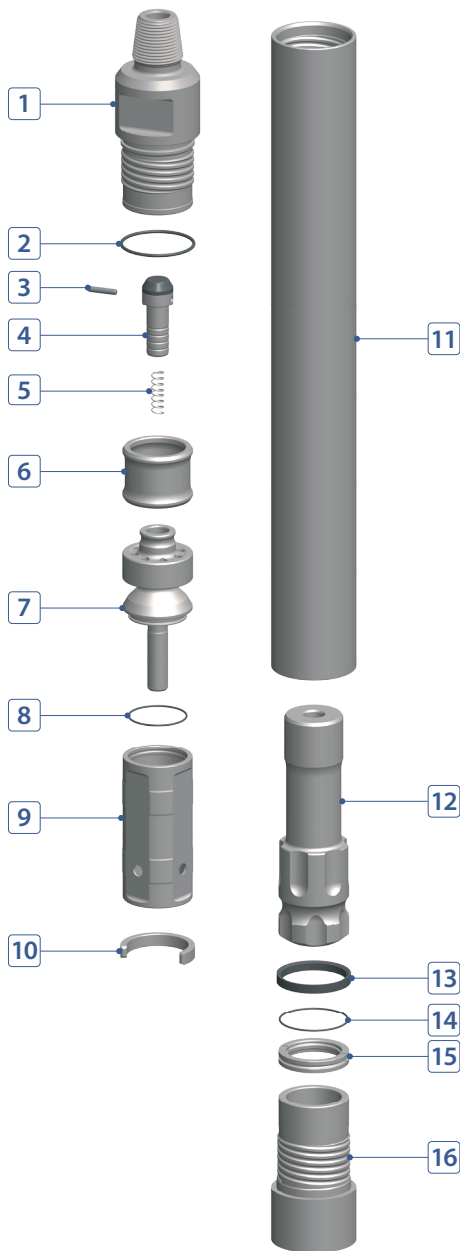


DTH HAMMER

WCS60 6" HAMMER WITH SD6 SHANK



COMPONENT PART



No.	DESCRIPTION	Q'TY	PART #
1	Back Head	1	W060-02-A01CRP
2	Back Head O-Ring	1	W060-02-A03000
3	Plug (Choke)	1	W060-02-A08000
4	Air Check Valve	1	W060-02-A09000
5	Air Check Valve Spring	1	W060-02-A10000
6	Tube Guide	1	W060-02-A19000
7	Air Distributor	1	W060-02-A15000
8	Air Distributor O-Ring	1	W060-02-A16000
9	Cylinder	1	W060-02-A17000
10	Cylinder Stop Ring	1	W060-02-A43000
11	Wear Sleeve	1	W060-02-A25SIM
12	Piston	1	W060-02-A26SDK
13	Piston Stop Ring (Buffering)	1	W060-02-A28SIM
14	Bit Retainer O-Ring	1	W060-02-A37000
15	Bit Retainer	1	W060-02-A36SDK
16	Chuck	1	W060-02-A41SDK

HAMMER SPECIFICATIONS

Length (w/o drill bit)	50.38"	1,279.8 mm
Outside Diameter	5.41"	137.5 mm
Weight	222 lbs.	100.7 kg
Piston Weight	44.8 lbs.	20.3 kg
Hole Size	6" ~ 8"	152 ~ 203 mm
Connection	Std. 3-1/2" API Reg Pin	

AIR CONSUMPTION CHART

