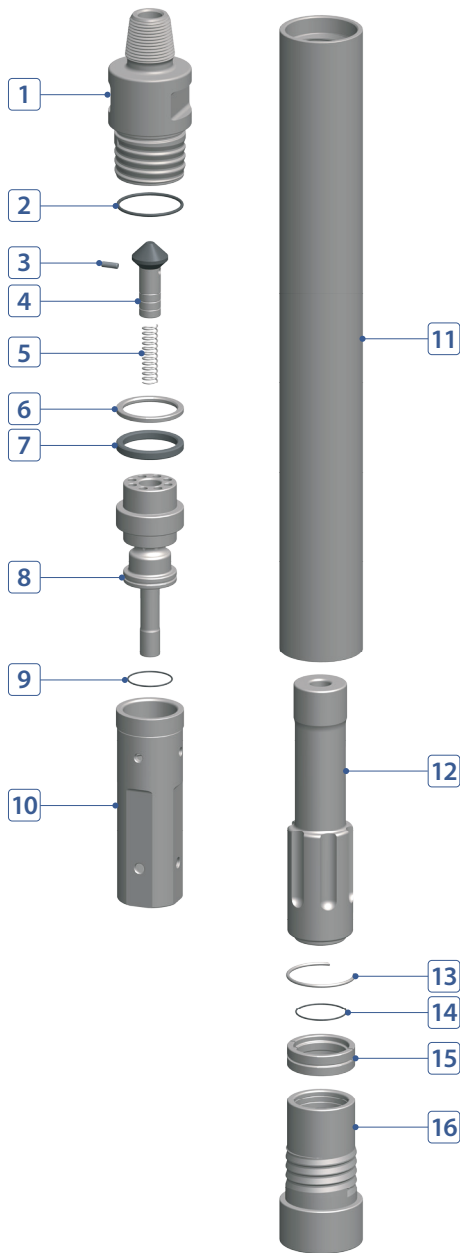


DTH HAMMER

KSS60 6" HAMMER WITH SD6 SHANK



COMPONENT PART



No.	DESCRIPTION	Q'TY	PART #
1	Back Head	1	K060-02-A01CRP
2	Back Head O-Ring	1	K060-02-A03000
3	Plug (Choke)	1	K060-02-A08000
4	Air Check Valve	1	K060-02-A09000
5	Air Check Valve Spring	1	K060-02-A10000
6	Buffering Washer (Steel)	1	K060-02-A05000
7	Buffering	1	K060-02-A07000
8	Air Distributor	1	K060-02-A15000
9	Air Distributor O-Ring	1	K060-02-A16000
10	Cylinder	1	K060-02-A17000
11	Wear Sleeve	1	K060-02-A25000
12	Piston	1	K060-02-A26SDK
13	Piston Stop Ring (Key)	1	K060-02-A29000
14	Bit Retainer O-Ring	1	K060-02-A37000
15	Bit Retainer	1	K060-02-A36SDK
16	Chuck (Drive Sub)	1	K060-02-A41SDK

HAMMER SPECIFICATIONS

Length (w/o drill bit)	49.25"	1,251 mm
Outside Diameter	5.41"	137.5 mm
Weight	225.8 lbs.	102.4 kg
Piston Weight	46 lbs.	20.8 kg
Hole Size	6" ~ 8"	152 ~ 203 mm
Connection	Std. 3-1/2" API Reg Pin	

AIR CONSUMPTION CHART

