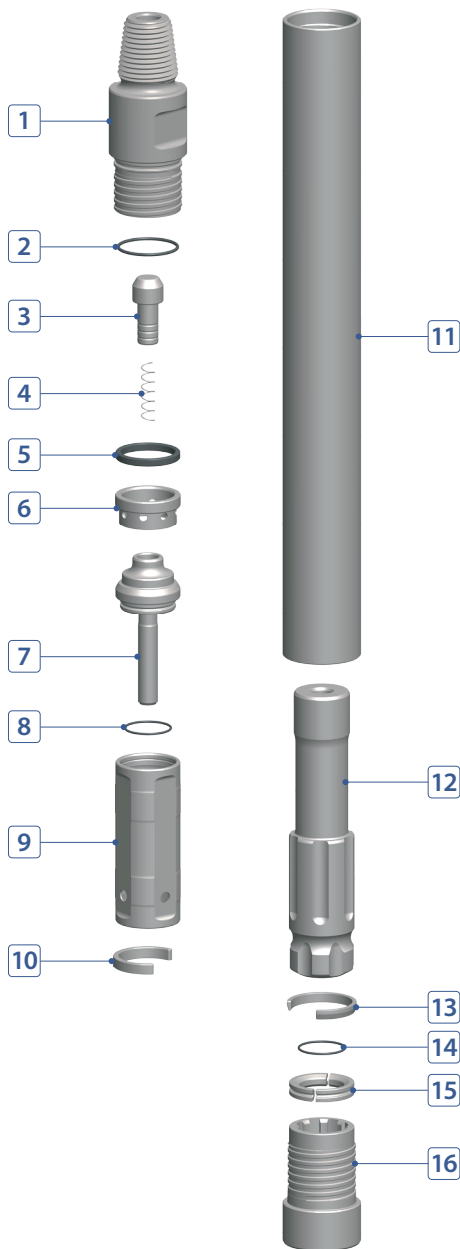


DTH HAMMER

WCI35 3.5" HAMMER WITH DHD3.5 SHANK



COMPONENT PART



No.	DESCRIPTION	Q'TY	PART #
1	Back Head	1	W035-02-A01ARP
2	Back Head O-Ring	1	W035-02-A03000
3	Air Check Valve	1	W035-02-A09000
4	Air Check Valve Spring	1	W035-02-A10000
5	Buffering	1	W035-02-A07000
6	Air Guide	1	W035-02-A11000
7	Air Distributor	1	W035-02-A15000
8	Air Distributor O-Ring	1	W035-02-A16000
9	Cylinder	1	W035-02-A17000
10	Cylinder Stop Ring	1	W035-02-A43000
11	Wear Sleeve	1	W035-02-A25DHD
12	Piston	1	W035-02-A26DHD
13	Piston Stop Ring (Steel)	1	W035-02-A29000
14	Bit Retainer O-Ring	1	W035-02-A37000
15	Bit Retainer	1	W035-02-A36DHD
16	Chuck	1	W035-02-A41DHD

HAMMER SPECIFICATIONS

Length (w/o drill bit)	31.12"	790.5 mm
Outside Diameter	3.14"	80 mm
Weight	47.8 lbs.	21.7 kg
Piston Weight	12.5 lbs.	5.7 kg
Hole Size	3-3/8" ~ 5"	86 ~ 127 mm
Connection	Std. 2-3/8" API Reg Pin	

AIR CONSUMPTION CHART

