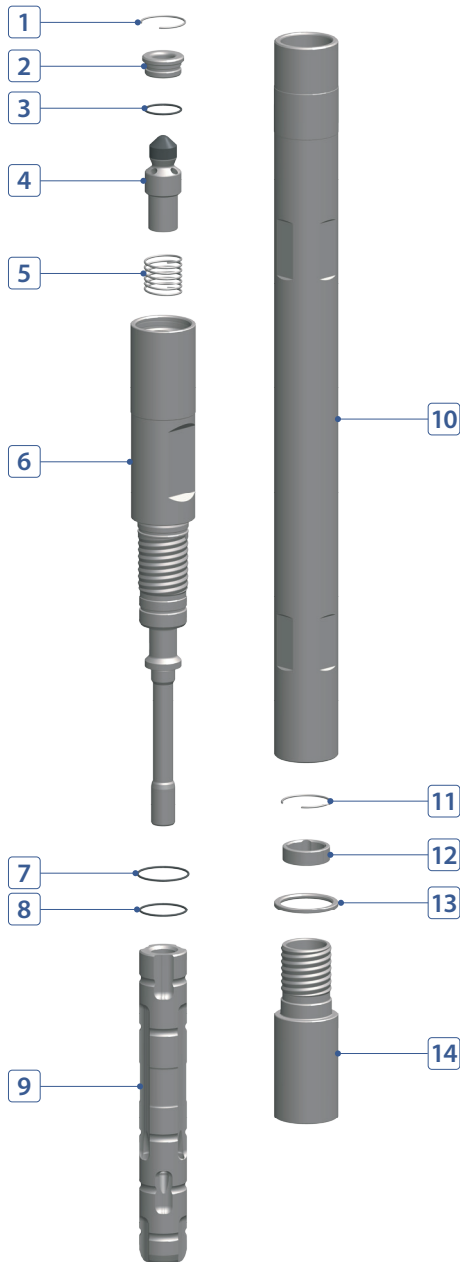


DTH HAMMER

WD100 1" HAMMER WITH DOM100 SHANK



COMPONENT PART



No.	DESCRIPTION	Q'TY	PART #
1	Snap Ring	1	L010-02-A464DB
2	NRV Seat	1	L010-02-A47000
3	NRV Seat O-Ring	1	L010-02-A48000
4	NRV	1	L010-02-A49000
5	NRV Spring	1	L010-02-A50000
6	Top Adaptor	1	L010-02-A51000
7	O-Ring	1	L010-02-A52000
8	O-Ring	1	L010-02-A52000
9	Piston	1	L010-02-A26000
10	Wear Sleeve	1	L010-02-A25000
11	Piston Stop Ring	1	L010-02-A29000
12	Bit Retainer	1	L010-02-A36000
13	Chuck Spacer(Washer)	1	L010-02-A39000
14	Chuck	1	L010-02-A41000

HAMMER SPECIFICATIONS

Length (w/o drill bit)	30.39"	772 mm
Outside Diameter	1.88 "	47.9 mm
Weight	15.4 lbs.	7 kg
Piston Weight	2.45 lbs.	1.1 kg
Hole Size	2-1/6" ~ 2-3/5"	55 ~ 66mm
Connection	Std. 40mm DIN 405 6TPI BOX	

AIR CONSUMPTION CHART

